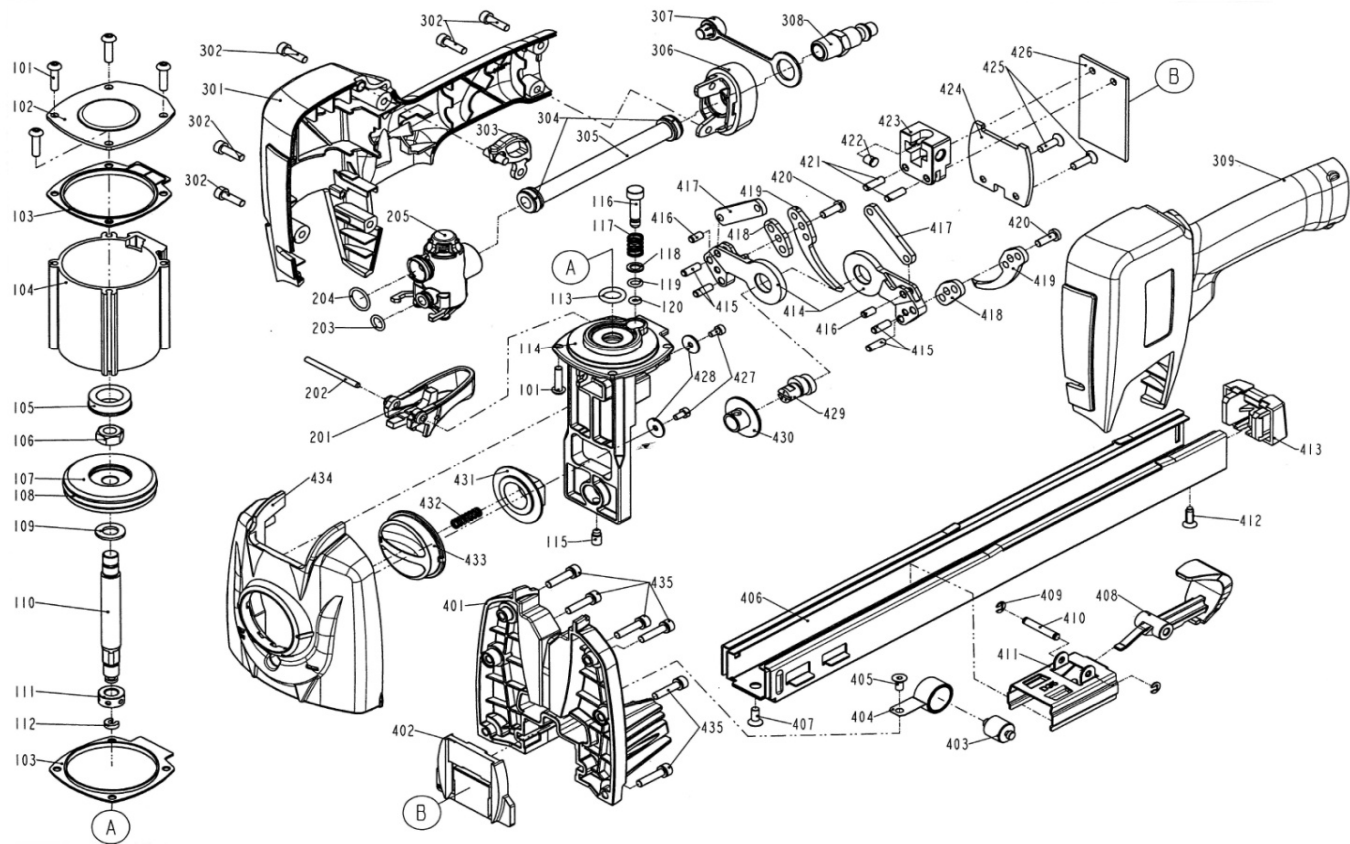


35/22 P1



Repère	Code	Français	English	Deutsch	Español	Romana
101	12B01589	Boulon	Bolt	Kopfschraube	Perno	Bolt
102	12B01569	défecteur	deflector	Leitblech	Deflector	Deflector
103	12B01554	Joint de tête	Cylinder cap seal	Deckelzylinder	Cilindro de la tapa	Cilindru de cap
104	12B01551	Cylindre	cylinder	Zylinder	cilindro	Cilindru
105	12B01560	amortisseur	Bumper	Puffer	amortiguador	Amortizor
106	12B01605	ecrou	Screw nut	Mutter	Tuerca	Piulita
107	12B01711	Piston	Piston	Kolben	Piston	Piston
108*	12B01608	Joint	O-ring	O-ring	Junta	Garnitura
109	12B01597	rondelle plate	Ring	Scheibe	Arandela	Saiba
110	12B01582	goupille	Pin	Stift	Clavija	Zavor
111	12B01578	axe d'ajustement	Adjust axie	Achseanpassung	Eje de Ajuste	Axa de ajustaje
112	12B01550	Circlips	circlips	Sicherungsring	Tuerca	Piulita
113*	12B01606	Joint	O-ring	O-ring	Junta	Garnitura
114	12B01552	Base	base	Base	Base	Baza
115	12B01593	vis	screw	Schraube	Tornillo	Surub
116	12B01577	Arrêt	Shaft	Stoppen	Parada	Opritor
117	12B01564	Ressort	Spring	Feder	Muelle	Arc
118	12B01596	rondelle plate	Ring	Scheibe	Arandela	Saiba
119*	12B01609	Joint	O-ring	O-ring	Junta	Garnitura
120*	12B01607	Joint	O-ring	O-ring	Junta	Garnitura
201	12B01542	Gâchette	Trigger	Drücker	Gatillo	Opritor
202	12B01601	Goupille	Pin	Stift	Clavija	Zavor
203*	12B01612	Joint	O-ring	O-ring	Junta	Garnitura
204*	12B01614	Joint	O-ring	O-ring	Junta	Garnitura
205	12B01543	Servo commande	Trigger valve head	Ventil	Cabeza de la valv.	Cap de valva
301	12B01573	poignée A	Handle	Griff	Picaporte	Mânui
302	12B01054	kit vis	Screw kit	Schraube set	Tornillo kit	clips
303	12B01549	crochet	Hook	Greifer	Gancho	Crosetat
304*	12B01610	Joint	O-ring	O-ring	Junta	Garnitura
305	12B01572	baguette	Stick	Zierleiste	Varilla	bagueta
306	12B01557	Couvercle	Cover	Deckel	tapadera	Capac
307	12B01821	Protection	Protection	Sicherheit	Proteccion	Sigurante
308	T023901	raccord	Air plug	Anschluss	Empalme	Racord
309	12B01544	poignée	Handle	Griff	Picaporte	Mânui
401	12B02098	Protection	Protection	Sicherheit	Proteccion	Sigurante
402	12B01706	Guide	Driver unit	Führer	Guia	Ghidaj
403	12B01693	Élément roulant	Rolling piece	Rollendes material	Pieza rodando	material rulant
404	12B01688	ressort	Spring	Feder	Muelle	Arc
405	12B01705	Vis	screw	Schraube	Tornillo	Surub
406	12B01677	Magasin	Magazine	Magazin	Almacen	Magazie
407	12B01699	Vis	screw	Schraube	Tornillo	Surub

35/22 P1

408	12B01683	Poignée	Handle	Griff	Picaporte	Mânui
409	12B00056	Circlips	circlips	Sicherungsring	Tuerca	Piulita
410	12B01684	Goupille	Pin	Stift	Clavija	Zavor
411	12B01707	Poussoir	trigger	Ausloser	pulsador	secundor
412	12B01701	Vis	screw	Schraube	Tornillo	Surub
413	12B01695	Protection	Protection	Sicherheit	Proteccion	Sigurante
414	12B01585	Support de griffe	Support	Support	Soporte	Echer
415	12B01604	Goupille	Pin	Stift	Clavija	Zavor
416	12B01602	Goupille	Pin	Stift	Clavija	Zavor
417	12B01709	Lien	Link	Bindung	Lazo	Link
418	12B01574	Plaque	Drive guide cover	schaltlatt	placa	placa
419	12B02096	Griffe	Claw	Greifer	Zarpa	Claw
420	12B00263	vis chc	screw	Schraube	Tornillo	Surub
421	12B01703	Goupille	Pin	Stift	Clavija	Zavor
422	12B01541	Bille	Ball	Ball	Bolita	Minge
423	12B01710	Base	base	Base	Base	Baza
424	12B01686	Plaque avant	Drive guide cover	schaltlatt	placa	placa
425	12B01592	Vis	screw	Schraube	Tornillo	Surub
426	12B02095	couteaux	Knife	Messer	Espatula	cutit
427	12B01590	vis chc	screw	Schraube	Tornillo	Surub
428	12B01595	Rondelle	Ring	Scheibe	Arandela	Saiba
429	12B02097	Excentrique	eccentric	Exzenter	excentrico	excentric
430	12B01587	Logement	Housing	Logis	Piso	Locuinta
431	12B01556	Logement	Housing	Logis	Piso	Locuinta
432	12B01561	Ressort	Spring	Feder	Muelle	Arc
433	12B01584	Bouton de réglage	Setting	Regelung	Reglaje	Setare
434	12B02093	Pied	rear plate	socket	Zocalò	Bazà
435	12B00866	kit vis	Screw kit	Schraube set	Tornillo kit	clips
*	12B02420	Kit joint	O-ring kit	O-ring set	Junta kit	Garnitura kit
#	12B01543	Kit servo-commande	Trigger valve kit	Ventil kit	Valvula kit	Kit de valva