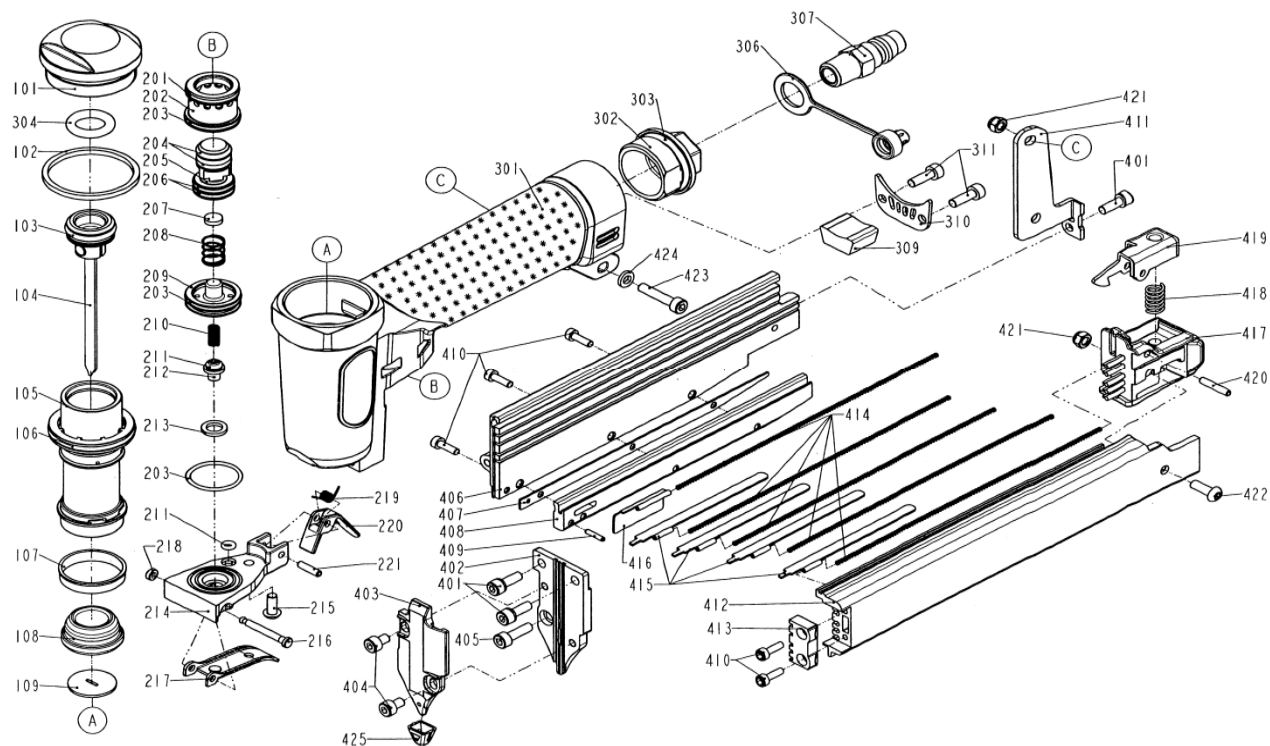


AL 35 P1



Repère	Code	Français	English	Deutsch	Español	Romana
101	12B00253	défecteur	deflector	Leitblech	Deflector	Deflector
102	12B00125	joint de tête	Cylinder cap seal	Deckelzylinder	Cilindro de la tapa	Cilindru de capac
103	12B00116*	Joint	O-ring	O-ring	Junta	Garnitura
104	12B00241	piston	Piston	Kolben	Piston	Piston
105	12B00245	cyindre	cylinder	Zylinder	cilindro	Cilindru
106	12B00123*	Joint	O-ring	O-ring	Junta	Garnitura
107	12B00124	Joint de retour	O-ring	O-ring	Junta	Garnitura
108	12B00097	Amortisseur	Bumper	Puffer	amortiguador	Amortizor
109	12B00261	guide	Driver unit	Führer	Guia	Ghidaj
201	12B00115*	Joint	O-ring	O-ring	Junta	Garnitura
202	12B00143	Servo commande	Trigger valve head	Ventil	Cabeza de la valvula	Cap de valva
203	12B00120*	Joint	O-ring	O-ring	Junta	Garnitura
204	12B00118*	Joint	O-ring	O-ring	Junta	Garnitura
205	12B00142	Servo commande	Trigger valve head	Ventil	Cabeza de la valvula	Cap de valva
206	12B00119*	Joint	O-ring	O-ring	Junta	Garnitura
207	12B00113	Joint	O-ring	O-ring	Junta	Garnitura
208	12B00137	Ressort	Spring	Feder	Muelle	Arc
209	12B00105	Couvercle	Cover	Deckel	tapadera	Capac
210	12B00012	ressort	Spring	Feder	Muelle	Arc
211	12B01673	Joint	O-ring	O-ring	Junta	Garnitura
212	12B00146	tige	Stem	Stängel	Varilla	Regleta
213	12B00100	Bague	Collar	Ring	Manguito	Inel
214	12B00103	Couvercle	Cover	Deckel	tapadera	Capac
215	12B00108	ecrou à demi ronde	Screw nut	Mutter	Tuerca	Piulita
216	12B00131	Pivot	Pivot	Drehachse	Pivote	Pivot

217	12B00109	Gâchette	Trigger	Drücker	Gatillo	Opritor
218	12B00096	circilps	circlips	Sicherungsring	Tuerca	Piulita
219	12B00136	Ressort	Spring	Feder	Muelle	Arc
220	12B00099	arrêt de sécurité	Safety Idle	Sicherungshalt	Paro de seguridad	Opritor de siguranta
221	12B00139	Goupille	Pin	Stift	Clavija	Zavor
301	12B00242	corps	Body	Gehäuse	Cuerpo	Corp
302	12B00104	couvercle	Cover	Deckel	tapadera	Capac
303	12B00121*	Joint	O-ring	O-ring	Junta	Garnitura
304	12B00117*	Joint	O-ring	O-ring	Junta	Garnitura
306	12B00020	protection plastique	Plastic protection	Kunststoffschrürze	Proteccion plastico	Protectile
307	T023901	Raccord	Air plug	Anschluss	Empalme	Racord
309	12B00144	silencieux	Silencer	Schalldampfer	Silenciador	Silentios
310	12B00111	Guide	Driver unit	Führer	Guia	Ghidaj
311	12B00149	vis chc	screw	Schraube	Tornillo	Surub
401	12B00259	kit vis	Screw kit	Schraube set	Tornillo kit	clips
402	12B00243	guide	Driver unit	Führer	Guia	Ghidaj
403	12B00249	plaque avant A	Drive guide cover A	schaltlatt A	placa A	placa A
404	12B00147	vis chc	screw	Schraube	Tornillo	Surub
405	12B00263	vis chc	screw	Schraube	Tornillo	Surub
406	12B00255	magasin A	Magazine A	Magazin A	Almacen A	Magazie A
407	12B00254	barre	Rod	Barre	Barra	Bar
408	12B00256	magasin B	Magazine B	Magazin B	Recàmara	Magazie B
409	12B00265	Goupille	Pin	Stift	Clavija	Zavor
410	12B00262	vis chc	screw	Schraube	Tornillo	Surub
411	12B00246	support	Support	Support	Soporte	Echer
412	12B00258	magasin B	Magazine B	Magazin B	Recàmara	Magazie B
413	12B00252	support	Support	Support	Soporte	Echer
414	12B00251	ressort	Spring	Feder	Muelle	Arc
415	12B00244	Arrêt	Shaft	Stoppen	Parada	Opritor
416	12B00250	Poussoir	trigger	Ausloser	pulsador	secundor
417	12B00257	Protection	Protection	Sicherheit	Proteccion	Sigurante
418	12B00164	ressort de sécurité	Safety spring	sicherungsFeder	Muelle de seguridad	Arc de siguranta
419	12B00248	goupille	Pin	Stift	Clavija	Zavor
420	12B00220	Goupille	Pin	Stift	Clavija	Zavor
421	12B00048	Ecrou	Screw nut	Mutter	Tuerca	Piulita
422	12B00266	vis	screw	Schraube	Tornillo	Surub
423	12B00260	vis chc	screw	Schraube	Tornillo	Surub
424	12B00264	rondelle plate	Ring	Scheibe	Arandela	Saiba
425	12B00247	Protection	Protection	Sicherheit	Proteccion	Sigurante
#	12B02516	Kit servo-commande	Trigger valve kit	Ventil kit	Valvula kit	Kit de valva
*	12B02428	Kit joint	O-ring kit	O-ring set	Junta kit	Garnitura kit

Caractéristique / Feature / Charakteristik / característica / caracteristicà

AL 35 P1	Modèle	Model	Gerät	Modelo	Model
Type / tip	Cloueur pneumatique	Pneumatic nailer	Pneumatisch Nagler	clavadora neumatica	Capsator pneumatice
240 x 44 x 162	Dimension	Size	Abmessung	Medida	Dimensiuni
0,90 kg	Poids	Weight	Gewicht	Peso	Greutate
4-7 Bar	Pression normale	Normal pressure	Normal druck	Presion normal	Presiune normal
AL 10 - 35 mm	Pointes	Nails	Nagel	Puntas	Varfuri